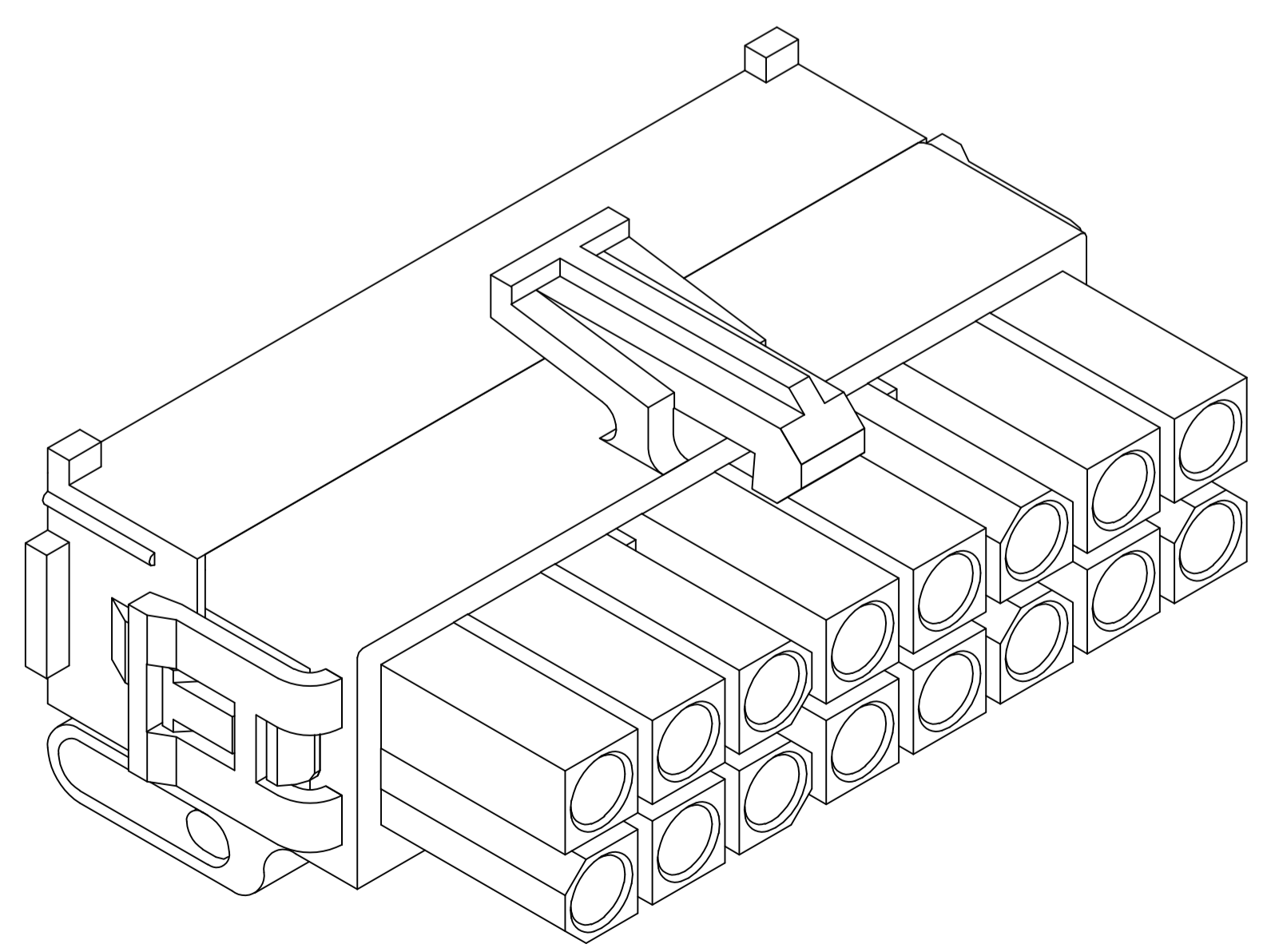
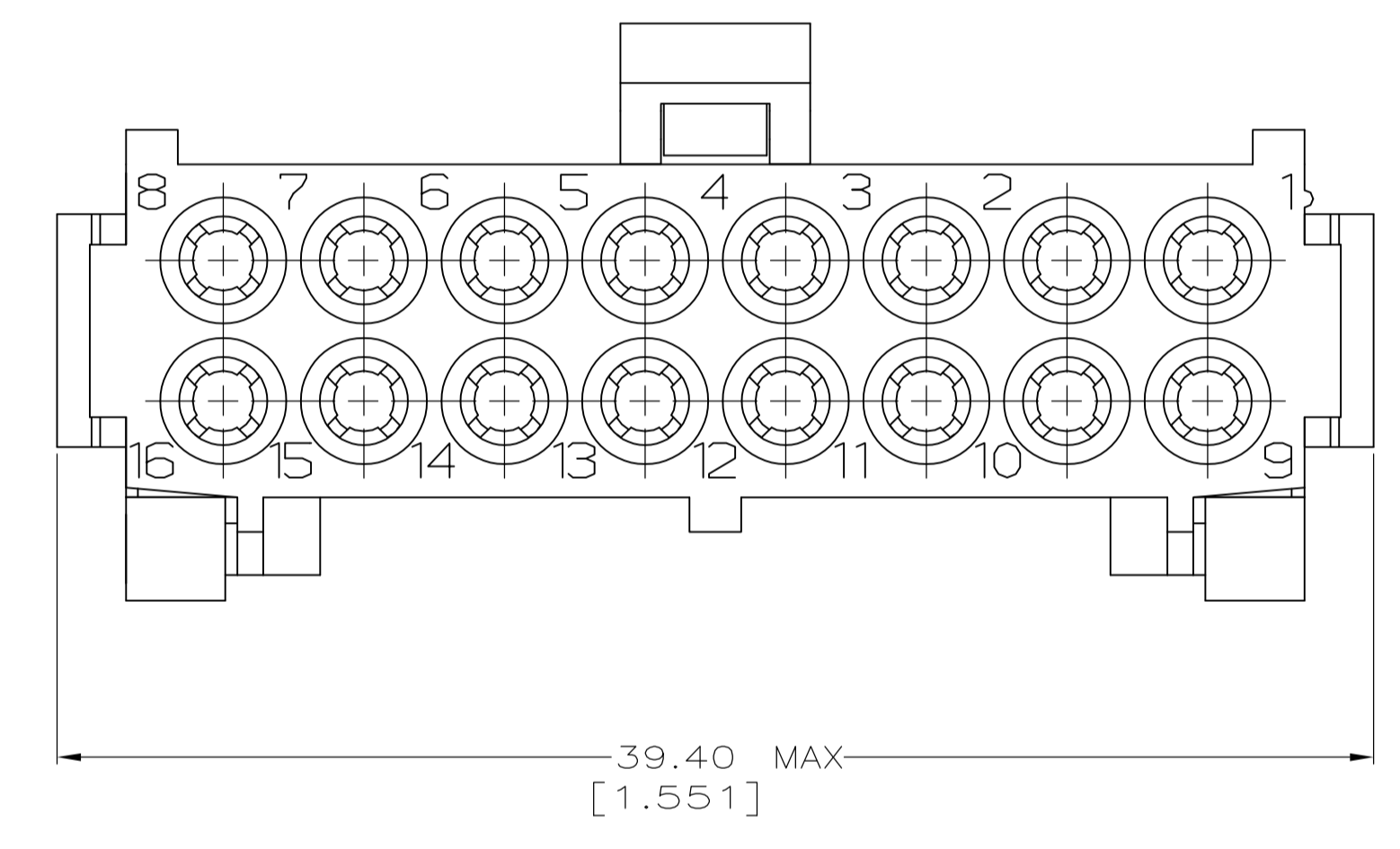
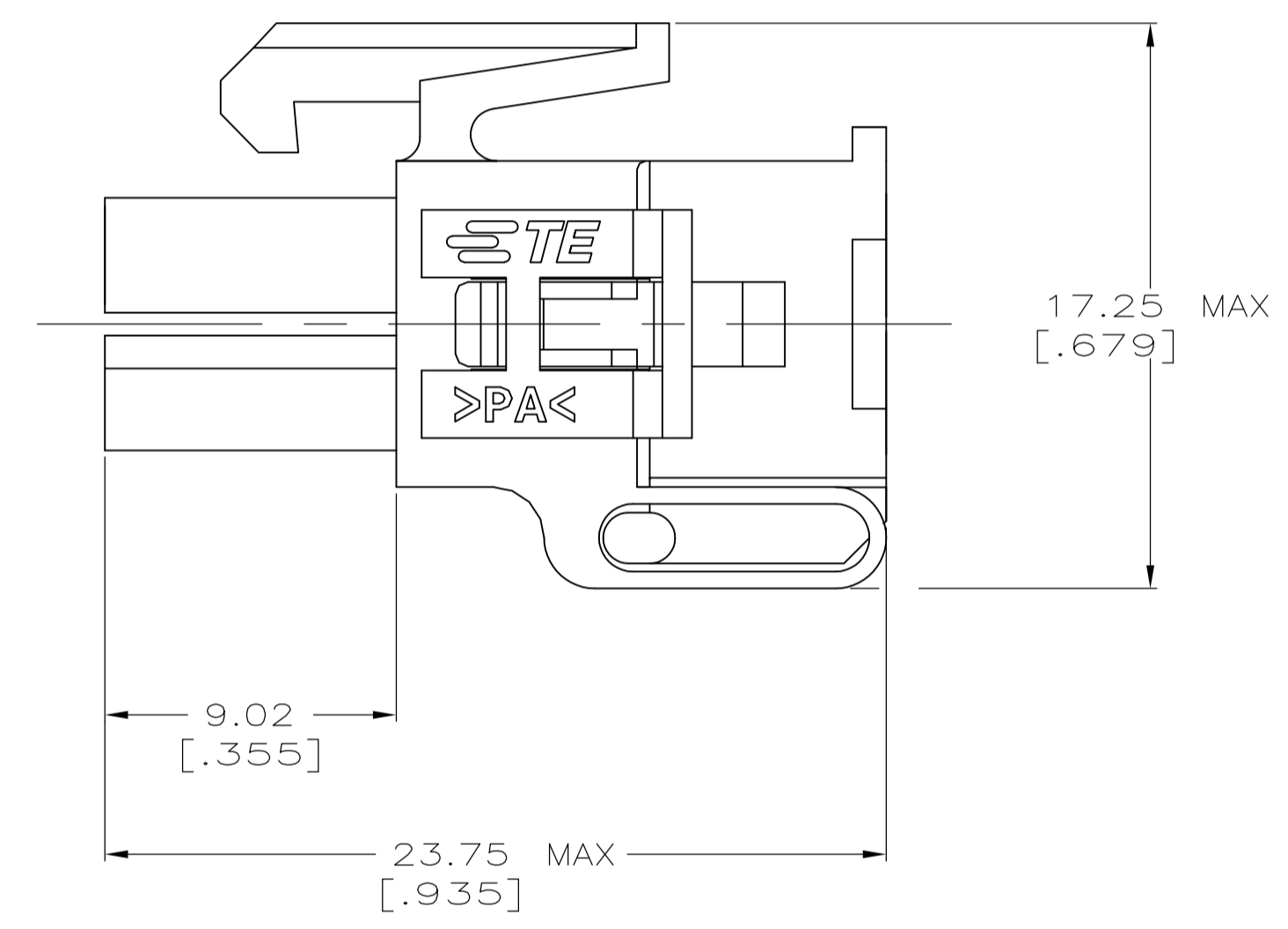
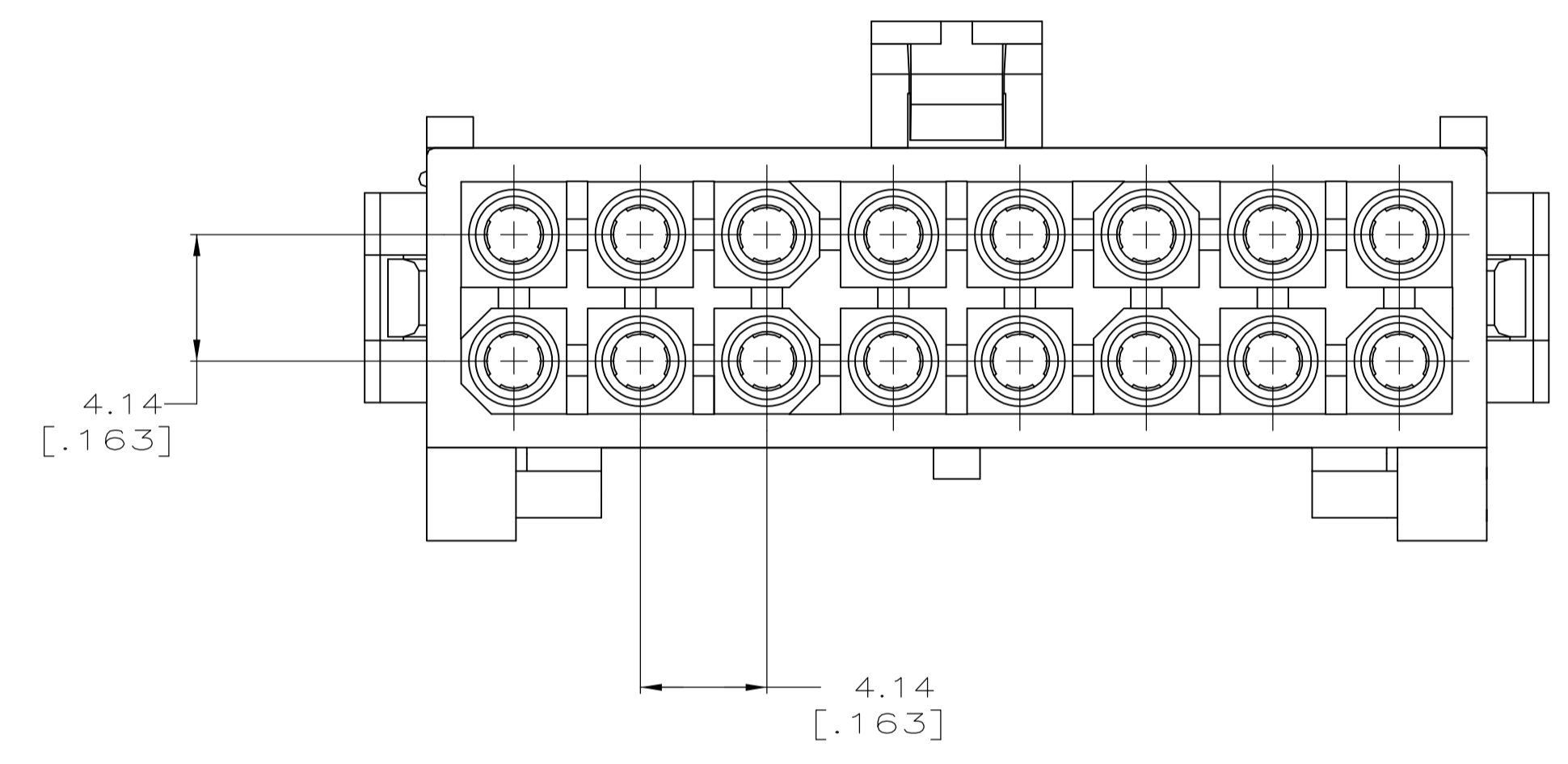
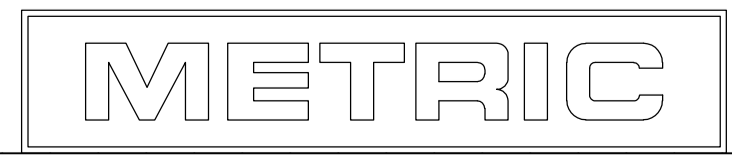


PRE-STAGED CONDITION

1 DIMENSIONS IN BRACKETS ARE IN INCHES.



3-DIMENSIONAL MODEL
NTS



794206-1
PART NUMBER

THIS DRAWING IS A CONTROLLED DOCUMENT.		DWG K. WHITAKER	5-19-97	TE Connectivity
		CHK R. SWING	5-19-97	
		APP'D R. ORSTAD	5-19-97	NAME PLUG, 16 CIRCUIT, MINI UNIVERSAL MATE-N-LOK™ 2
DIMENSIONS:		TOLERANCES UNLESS OTHERWISE SPECIFIED:		PRODUCT SPEC
mm	0. PLC	±	-	APPLICATION SPEC
	1. PLC	±	-	WEIGHT
	2. PLC	±	-	A1 00779 C=794206
	3. PLC	±	0.13 [.005]	RESTRICTED TO
	4. PLC	±	-	CUSTOMER DRAWING
	ANGLES	±	-	SCALE 5:1 SHEET 1 OF 1 REV C2
MATERIAL NYLON, UL94V-0, NATURAL		FINISH		